

ZEPIA Energy

Demetervej 13
9210 Aalborg SØ
DENMARK
Tel +45 9631 0199
Fax +45 9631 0198

ZE Waterproof Chargers 100W



Art 00337XX

General description

This ZE product is a high efficient, intelligent and very compact battery charger. Suitable for all Lead acid batteries. It is a switch mode design and includes the latest component and technology in power conversion. The internal micro controller controls the charging phase. The charging phases are monitored and adjusted continuously during the charging process.

The product is suitable both in marine and automotive applications.

Features

- Latest MosFET technology
- High efficiency, Cool running normal operation
- Adaptable to different battery types
- Waterproof and shock resistant, IP67
- Powder coated Metal enclosure
- Small and easy to install

Part number / order information

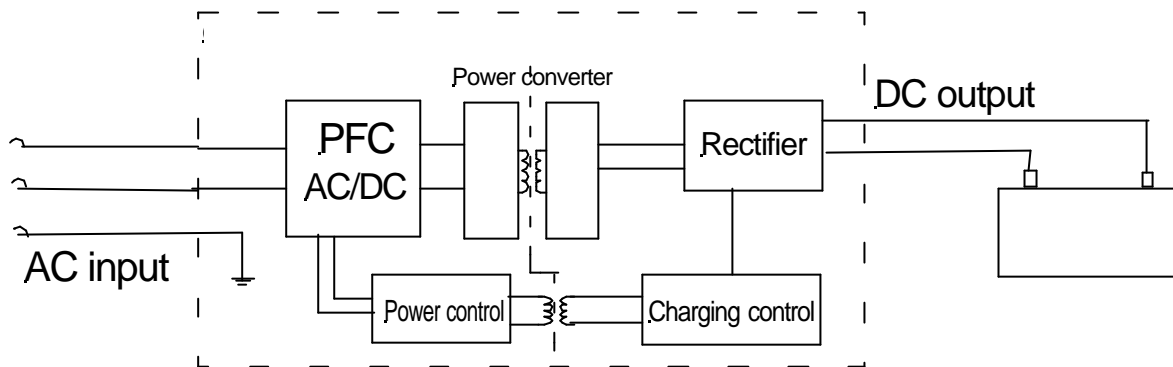
ZE part number	Specification
0033710	12V / 6A 100W
0033750	24V / 3A 100W

Numbers shows the basic standard models
Different charging algorithms or cables results into other article numbers.

Theory of operation

This ZE Waterproof Charger is one of the most compact battery chargers available. The input AC voltage is feed through a passive PFC stage and converted into a DC Voltage of approx 400V. A high frequency switch into a low dc voltage does the power conversion. This voltage is controlled by the internal micro controller and rectified to a correct charging voltage on output.

Block Diagram



Charging algorithim

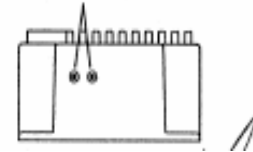
The charging in standard program is indicated as follows:

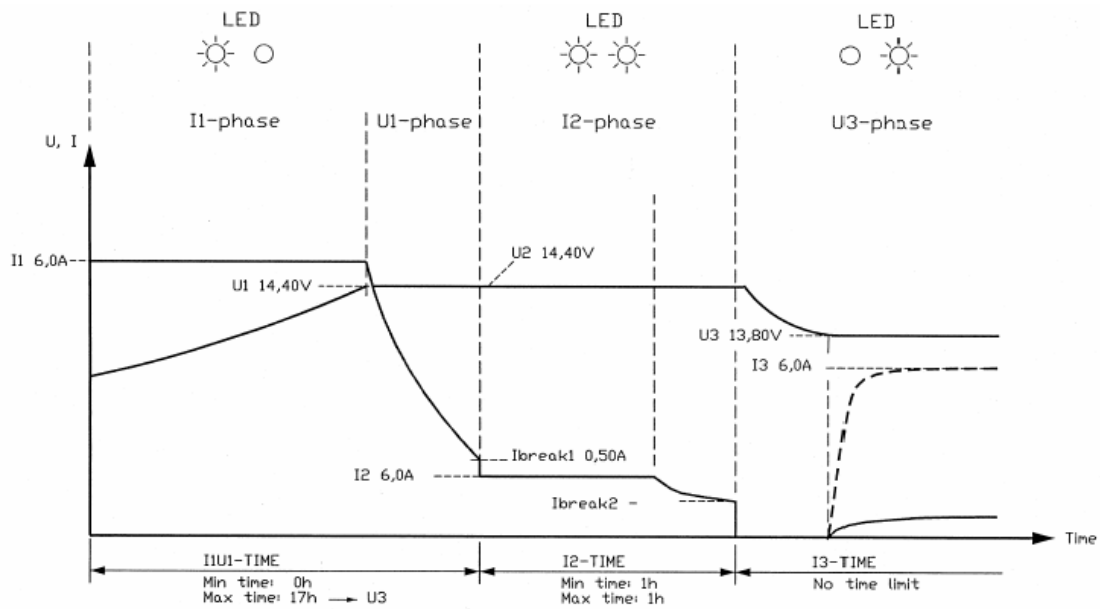
Step 1, the bulk phase is indicated with the yellow LED.

This indication is kept through step 2.

When the current is below 10% of the maximum output the charger goes into step 3 and the green LED is lit up. After approx 2 hours the yellow LED is turned off and green LED is turned on as long as the charger is connected to mains.

LED indication charger





Descriptions of features

The complete electronics is mounted in the metal enclosure and totally sealed in polyurethane. Water, oil or other substances will thereby be effectively kept out. The ZE Charger can be mounted in very harsh environment such as engine-compartment due to the encapsulation.

Before potting different charging algorithms can be applied and customized chargers can be made upon request.

The standard programming is suitable for Lead acid batteries -Open or gel-, in most applications.

Electrical specifications

ABSOLUTE MAXIMUM RATINGS

Maximum ratings establish the maximum electrical rating to which the unit may be subjected without damage

Parameter	Value	Units	Notes
Output Current / Voltage	7	A	0033710
	16	V	0033710
	4	A	0033750
	33	V	0033750
Stand off voltage	20	V	Nom 12V
Stand off voltage	40	V	Nom 24V
Heat Sink Temperature	65	°C	Note 1
Operating Temperature Range	-30°C - +55°C		
Storage Temperature Range	-55°C- 85°C		

Fuse 0033710	10A
Fuse 0033750	5A

1. This is maximum voltage applied between INPUT and GND that the unit will standoff without causing damage to the unit.

Electrical Characteristics

Unless otherwise stated, conditions apply to full temperature range and full input voltage range.

Characteristic	MIN	TYP	MAX	Unit	Notes:
Input Voltage	170	230	270	VAC	1
Input Over Voltage			285	VAC	
Quiescent Current off			<5	mA	100W
Quiescent Current on			150	mA	
Output voltage 12 nom	14,3/13,5	14,4/13,7	14,5/13,9	V	
Output voltage 24 nom	28,5/26,8	28,8/27,5	29,0/27,9	V	
Efficiency 0033710/0033750		88%			

Voltage ripple 100W 70 100 150 mV

1. Reduced output power < 195VAC
- 2.

Environmental Specifications

Parameter	Level	Conditions / Notes
Humidity	0 – 100 %RH	
Splash	Yes, IP67	
Pressure Wash	Yes, IP67	
Mechanical Vibration	40G	according to standard IEC 60068-2-6
Handling Shock	Will Show Damage	

Mechanical specifications

The unit utilizes two 1,5mm² (0033710, 0033750) Tin plated copper cable making power connections. Cable mounted fuse on plus lead.
Length 1,5M. The AC connection is with standard PVC cord 3x0,75 1,5M.

Finish: Grey RAL 7035, powder coated aluminium

Potting material: Polyurethane

Mounting Slots: 4X, Accepts M4-M6 (6mm diam) Hardware (not included)

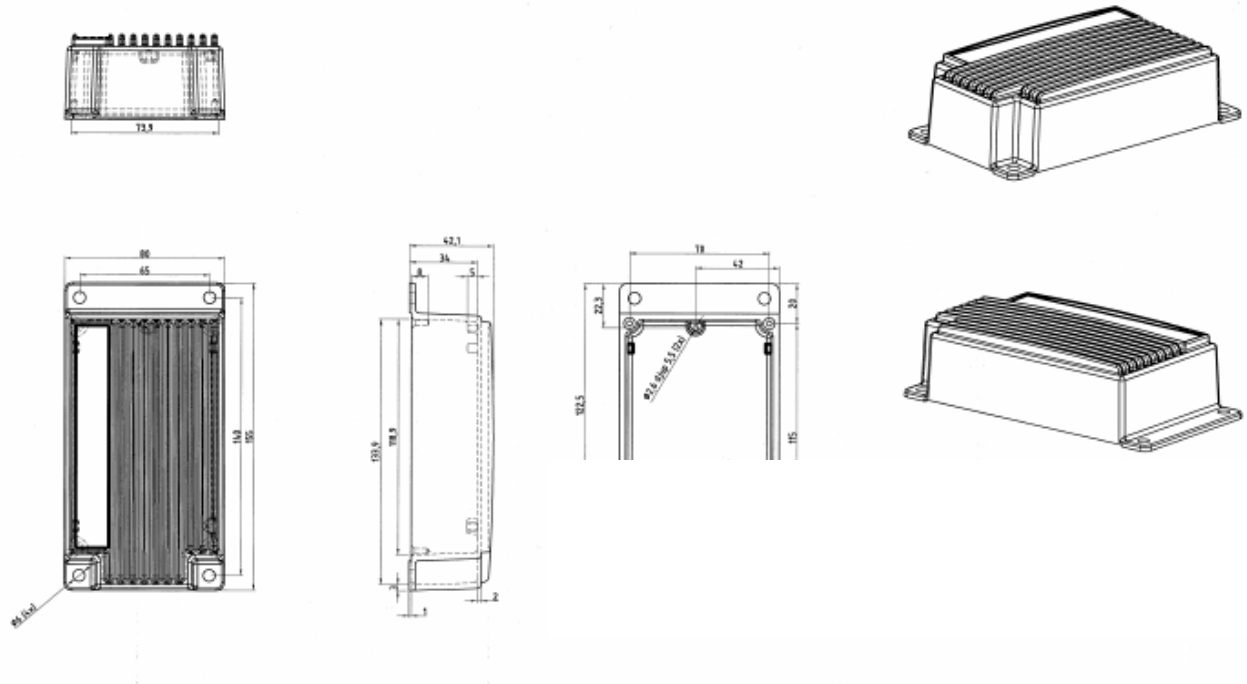
Weight: 0033710 / 0033750 0,9Kg

Unit Dimensions: 0033710 / 0033750:155 x 80 x 43

Connection and installation:

Mount the charger with LED:s facing up and cable downwards. This will maintain an efficient cooling and a maximum output current during the whole charging cycle.
Do not extend charging cables. That may affect the charging result.
Batteries can generate explosive gases - avoid open flames or sparks
It is not allowed to modify the main cable.
No reliability will be excepted for damages occurred by use without observation.

0033710 / 0033750



Approvments

In accordance with the following EN-norms: EN 60 335-1
EN60 335-2-29, EN 55 014, 55104, EN 60 555-2, EN 60 555-3.

CE

Note: Specification can be changed without prior notice.