



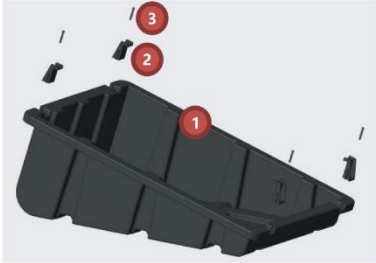
Company Profile



Floating of Solar (Xiamen) Technology CO.,Ltd. Integrates R&D, production, sales and service, and is equipped with a variety of related production equipment and experimental equipment, including a number of large blow molding machines, roll molding machines, and all kinds of related testing equipment. The company adheres to the industry's highest standards of strict implementation, determined to become the industry's most reputable enterprises.

The company has passed ISO quality system certification, SGS system certification, products through TUV product certification, IEC and other relevant tests, and has a number of inventions and utility model patent technology. Through continuous independent innovation and efforts, based on the general trend of photovoltaic industry, to contribute to the global photovoltaic industry, in order to promote the popularization of photovoltaic floating power station environmental protection economy, energy recycling, to achieve global sustainable development as their own responsibility, leading the continuous change of photovoltaic floating system.



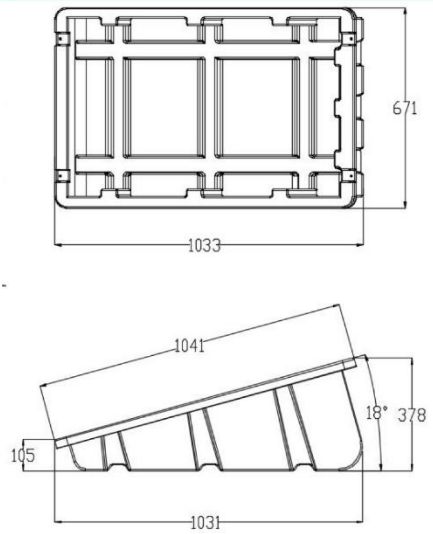


① Main part
② Plastic Clamp
③ Tapping screw

- ✓ Easy and flexible position planning
- ✓ Fast installation
- ✓ Do not destroy any building surface
- ✓ Suit for any flat surface
- ✓ Convenient for maintenance



Dimension Parameter



Material	HDPE
Installation angle	18°
Type of surface	Asphalt, concrete, etc.
Filler	Gravel, sand
Part List	Main part-----1 Clamp-----4 Tapping screw-4
Installation quantity	Multiple solar panels
Service life	25 years
Overall dimensions	1031*671*378
Net weight	4.2kg

Component list



Main part
Material HDPE



Plastic Clamp
Material HDPE



Tapping screw
Material Zinc-Nickel Alloy
Electroplated Steel



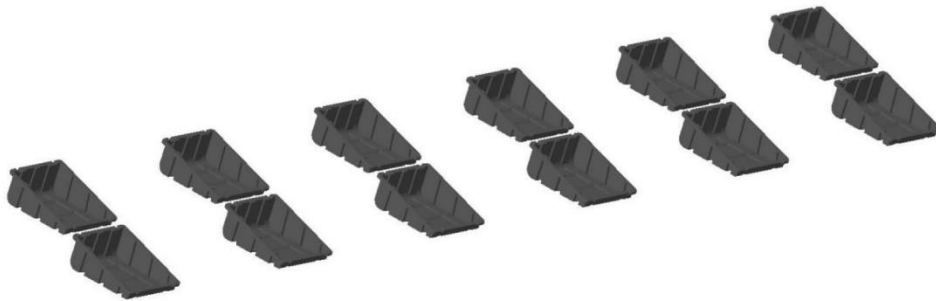
Installation steps

- 1) Positioning: positioning bracket is arranged according to the project arrangement
- 2) gravel: pour gravel into the bracket bucket. The weight of gravel depends on the local wind force
- 3) pre-lock fixing fixture: load the plastic fixture into the four card slots of the support, and use a wrench to tap the outer hexagon screw. The wire is pre-locked on the bracket. Please reserve the installation space for the solar panel according to the thickness of the solar panel
- 4) installation of solar panel: mount the solar panel from the side into the bracket according to the demand, and lock the screws on the fixture

1

第一步/First Step

Figure1(a). Fixed position



2

第二步 Second Step

Figure2(a). Rock filling

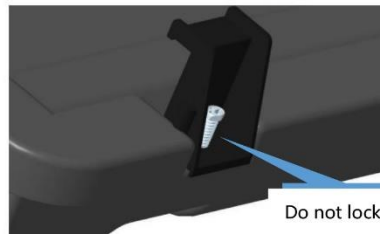
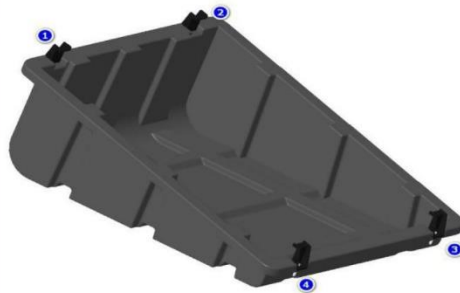


沙砾倒入支架

3

第三步 Third step

Figure3(a). Fix the clamp



Do not lock tight



4

第四步Fourth Step

Figure4(a). Fix the panel

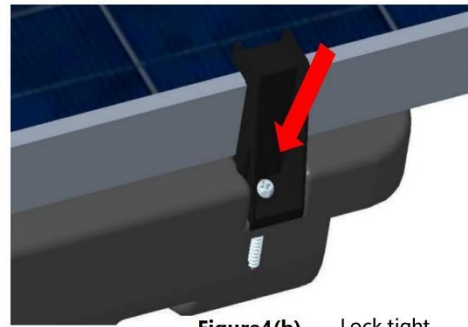
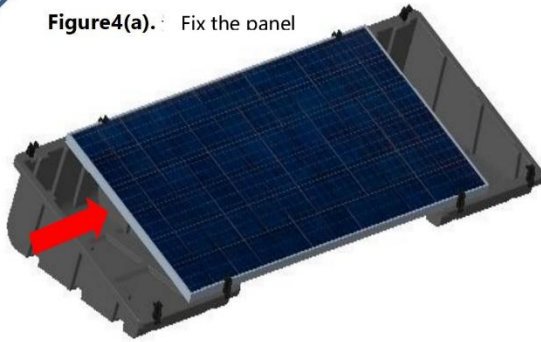


Figure4(b). Lock tight



Figure4(c). Finished installation